

REVO-CAST*

Revolutionary Automatic
Wet Cast production
system

D **D.I.T.** **EQUIPMENT**

*Combining the patent pending Magic-Dosing™
on the wet side and the Automatic Positive
mechanical Demolding on the dry side.*

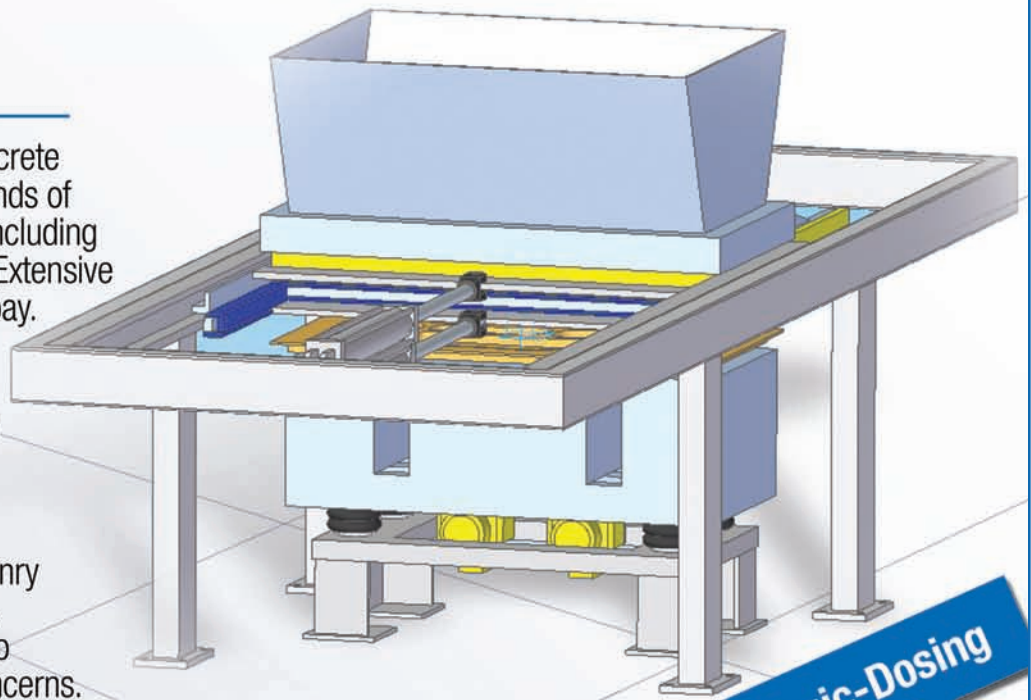
The world of wet cast will never be the same.

WET CAST STONES:

Manufacturers of wet cast concrete products have developed all kinds of masonry stone like products, including masonry thin adhered veneer. Extensive labor was always the price to pay.

The natural look of a masonry wall is dependent on not being able to recognize a pattern or a particular stone.

Whether you are making masonry or landscaping stone products, Revo-Cast will be the answer to both labor and natural look concerns.



Magic-Dosing™

and

**Automatic Positive
mechanical Demolding**

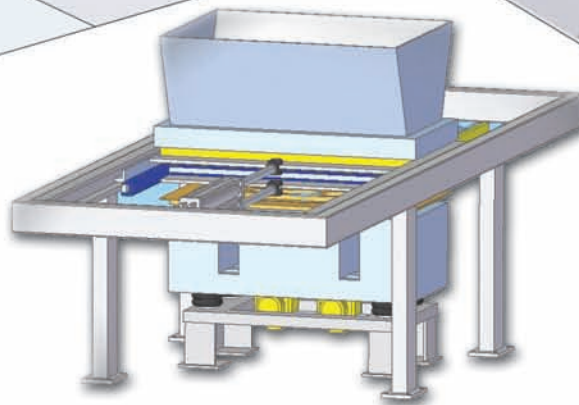
*Liberty of feeding any incoming mold
without having to set up*

*Allows LABOR FREE demolding on
most stones.*

**Patent Pending*



REVO-CAST TECHNOLOGY



Dosing concrete into the mold:

MAGIC -DOSING™ automatic Wet Cast concrete production machine is the most advanced system to fill each incoming mold, even if the concrete requirement of the next mold is different from its predecessor.

No sensors, no chips to recognize the next mold, no dosing boxes, just a simple patent pending system to fill each mold accurately for a perfect fill every cycle. In less than 20 seconds, the mold will be filled, vibrated and ready to be handled for curing.

Knowing how important the natural look on a wall is, one will discover how feeding the Magic-Dosing machine with different volume molds will maximize the variety of stone produced.

The benefits of the rapid change of products without having to calibrate dosing boxes of concrete are huge.

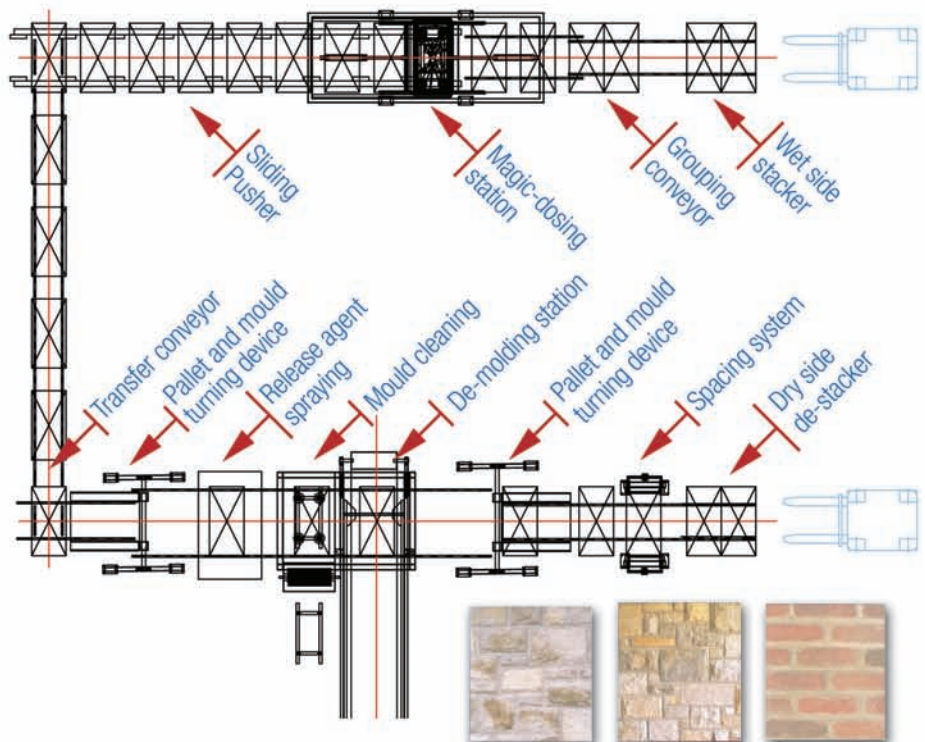
Automatic Positive Mechanical Demolding

Unlike the variable results of a vacuum system, the Revo-Cast technology includes a system where the mold is automatically turned over and the stone is mechanically pushed out of the mold without fail.

Handling the pallets and mold:

Thanks to the automatic dosing of the mold and to the automatic demolding on the dry side, a variety of optional technologies are now available to handle the pallets. With less than 20 seconds cycle time, the well-known technologies of handling the paving stone are now accessible for wet cast stone.

An elevator on the wet side, a de-elevator on the dry side and finger car robots bringing the pallets to rack curing rooms is a valuable option. Other will prefer to start with a lift truck operation picking up a stack from an automatic board on board stacker and bringing back the dry product by lift truck to automatically destack and demold.



West cast stone and briquette productivity of 1,200 sq. ft. / hr.



www.dit-equip.com info@dit-equip.com

Tel.: 450.653.2523 1.888.503.8812 Fax: 450.653.9686